



RUBBERTECH

PEDESTALS

FOR TERRACES, BALCONIES, GARDENS & SWIMMING POOL AREAS

MADE FROM RECYCLED MATERIALS



PEDESTALS & SUPPORTS

The Rubbertech range of fixed and height adjustable supports, cradles and pedestal risers provide ideal solutions for the easy levelling of floors, decks and paving slabs in a variety of application situations. Rubbertech products are ideal for both indoor and outdoor use, providing for fast and effective levelling for installations on flat or sloped surfaces.

The products have been tested and proven in all types of applications and can be relied upon for strong and stable installations. From the simplest fixed height paver supports through to fully adjustable and height extendable Pedestal riser systems, whether for low-level installations in applications where threshold heights are a concern, or for high rise support, we have the systems and the answers. A range of accessory items like levelling shims, height extenders, acoustic rubber head and base pads complete the programme.

We offer solutions for fast laying of wood, composite wood, ceramic, marble or granite flooring, and pavers of all types.

BENEFITS OF PEDESTALS & SUPPORTS

- Fast and very accurate installation
- Suitable for use on waterproofing membranes
- Overall lightness of the actual package
- Elimination of normal slopes at the base
- Natural flow of water
- Improved durability of wood beams.

LOW-LEVEL 1836 - PEDESTALS

FOR FLOORING, DECKING & PAVERS - 18mm to 36mm

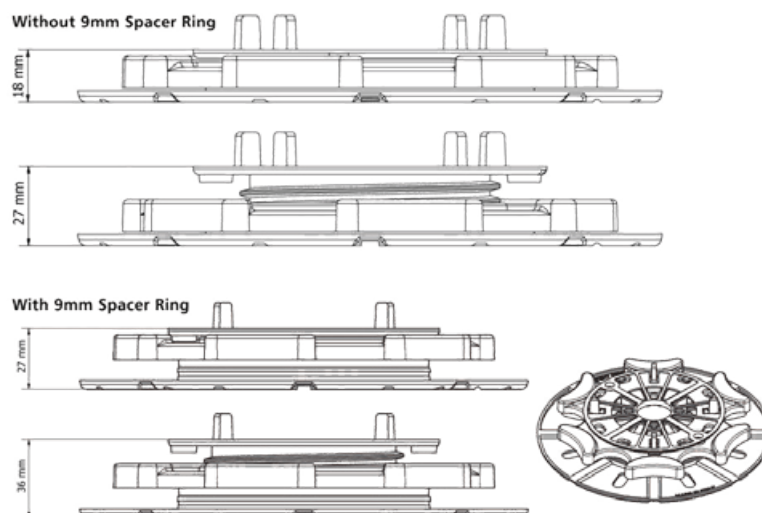
The Low-Profile 1836 pedestal is a specially designed support for use in areas where low threshold heights are encountered.

Each support is composed of a threaded head section, incorporating four spacer fins (4mm in width) for tile or paver spacing, or with a fixing flange with screw slot used for attaching the support to a wooden joist for flooring or deck construction. The spacer fins for pavers are designed to allow easy removal where not required, for example where support is required under the centre of a large tile, or at edges. An easy to operate adjustment dial makes raising or lowering the head really quick and precise.

The large 200mm (8") base plate provides stable support on most surfaces. The pedestals and base incorporate drainage so no stagnant water can accumulate when used outdoors. As standard each Low-Level 1836 pedestal comes complete with one 9mm extender ring (this can be inserted into the base if required). With an adjustable height range from 18mm to 36mm this support is particularly suited for renovation work, floating floors, or other projects with height restrictions.



Reference	Description	Adjustability [mm]	Box	Pallet	Weight (Kg)
1836LP P-4	4 spacer tabs 4mm x 10mm	from 18 to 36	30 pcs.	45 boxes	0.154
1836LP DF	1 fixed tab adjustable support	from 18 to 36	30 pcs.	45 boxes	0.157
1836LP EX9	1836LP Extender Ring - 9mm	9	30 pcs.	126 Boxes	0.010



MULTI-LEVEL 3560 - PEDESTALS

FOR FLOORING, DECKING & PAVERS - 35mm to 60mm



MULTI-LEVEL 3560 DF
Adjustable Decking & Flooring Support



MULTI-LEVEL 3560 P4
Adjustable Support for Pavers

Rubbertech Multi-Level 3560 Pedestals are adjustable in height from 35mm to 60mm. The adjustable height can be increased by using one or more of our QuickClick, bayonet fitting, extension pieces to achieve any required height range. The system can be extended to 500mm high, or more as required.

The multi-level pedestals make it easy to achieve perfect flatness of the final floor, deck or paved area. The system is very easy to use and aids quick, precise and professional installation.

Each support is composed of a threaded head section, incorporating four spacer fins (4mm in width) for tile or paver spacing), or with a fixing flange with screw slot used for attaching the support to a wooden joist for flooring or deck construction. The spacer fins for pavers are designed to allow easy removal where not required, for example where support is required under the centre of a large tile, or at edges.

An easy to operate threaded adjustment ring makes raising or lowering the support head really quick and precise. A large 200mm (8") base plate provides stable support on most surfaces. An optional acoustic rubber base pad is available for use on membranes, etc. We recommend the use of our optional acoustic cushioning ring for tile and paver installations, as these help to bed corners securely and reduce transmitted noise through the support system. All versions of the 3560 range are designed with water drainage holes or channels, as appropriate, to prevent the build-up of stagnant water.

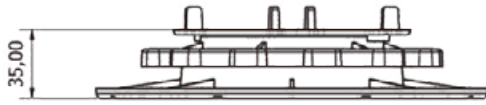
SKU No.	Description	Adjust. mm	Pack	Pallet
3560ML P-4	Paver Support Pedestal with 4 x 10mm (w x h) Spacer Bars	35 to 60	30 pcs	1,350 pcs
3560ML DF	Decking & Flooring Support Pedestal with fixing flange	35 to 60	30 pcs	1,200 pcs

SUITABLE FOR LAYING OVER MEMBRANES AND INSULATING PANELS

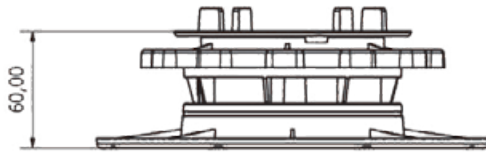
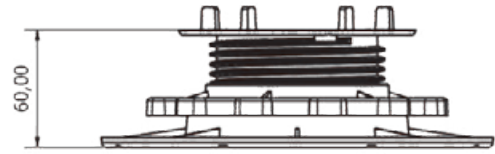
Thanks to the large support area of the pedestal bases the system can be installed on top of waterproofing membranes, rigid insulating panels and onto any solid, compact laying surface. The circular shape of the base adapts well to the course of the laying surface, even when this is not perfectly regular. The base incorporates channels for the outflow of water and two head-cut lines to be used when cutting the supports at perimeter edges or corners. This versatile range can be used with any type of self-supporting tile, or paver, and with all types of beam systems up to 3" (75mm) wide for flooring and decking construction.

MULTI-LEVEL 3560 - PEDESTALS

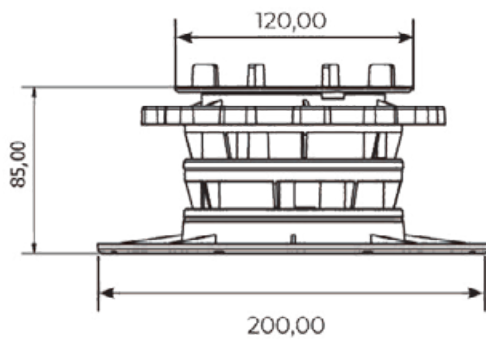
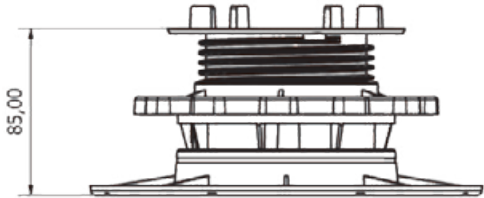
FOR FLOORING, DECKING & PAVERS - 35mm to 60mm



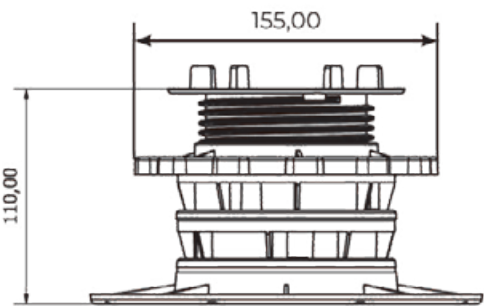
**3560ML P-4
3560ML DF**



**3560ML P-4
3560ML DF
with
1 x EX25 Extension**

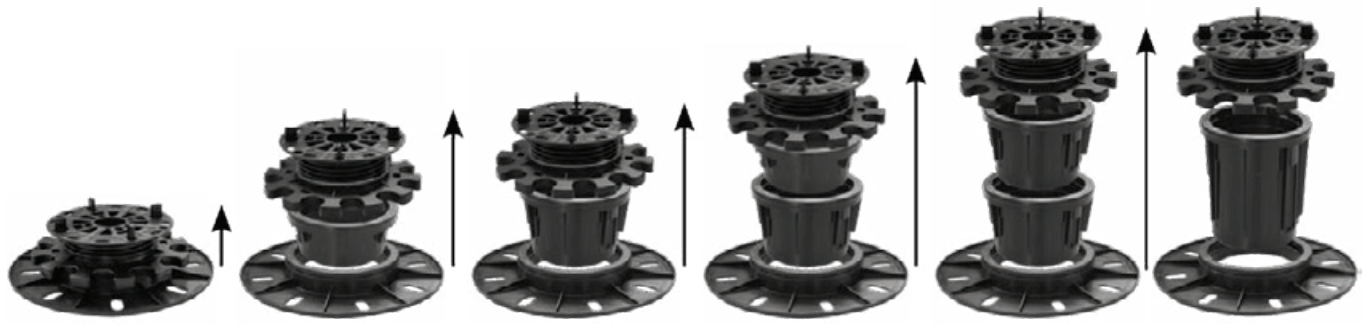


**3560ML P-4
3560ML DF
with 2 x EX25 or
1 x EX50 Extension**



Height ranges can be adjusted to 500mm or more, as required, by using combinations of QuickClick Extensions.





35 to 60mm

60 to 85mm
1 x 25mm extender

85 to 110mm
1 x 50mm extender

110 to 135mm
1 x 25mm extender

135 to 160mm
2x 50mm extenders

135 to 60mm
1 x 100mm extender

Important: When installing high-rise decks or floors it is essential that the structure is securely anchored to prevent any lateral movement.

ACCESSORIES

QuickClick Height Extenders for 3560 Pedestals



Acoustic Cushioning Rings



Acoustic Base Pads



Slope Adjusters



Reference	Description	Dimensions [mm]	Box	Pallet	Weight (Kg)
3560 EX25	Extension 25mm	48 L	30 pcs.	90 boxes	0.044
3560 EX50	Extension 50 mm	73 L	30 pcs.	54 boxes	0.072
3560 EX100	Extension 100 mm	122 L	30 pcs.	40 boxes	0.165
SAR1	Slope Adjuster - 1°	Ø 120	30 pcs.	-	0.011
SAR3	Slope Adjuster - 3°	Ø 120	30 pcs.	-	0.019
SAR5	Slope Adjuster - 5°	Ø 120	30 pcs.	-	0.027
AS120-2	Acoustic cushioning ring	Ø 120 x 2	180 pcs.	72 boxes	0.018
ABP200-3	Acoustic base rubber pad	Ø 200 x 3	80 pcs.	-	0.070



01824 702 666 | www.rubbertech.co.uk | Unit 5, Lon Parcwr, Ruthin, Denbighshire, LL15 1NJ

© Rubbertech 2022